

Site Plan

| | | |
|-------------------------------------|----------------------------|-------------|
| <input checked="" type="checkbox"/> | PRELIMINARY DRAWING | SIGN. _____ |
| <input type="checkbox"/> | DRAWING WITH REVISION | SIGN. _____ |
| <input type="checkbox"/> | DRAWING FOR SITE EXECUTION | SIGN. _____ |
| <input type="checkbox"/> | AS BUILT DRAWING | SIGN. _____ |

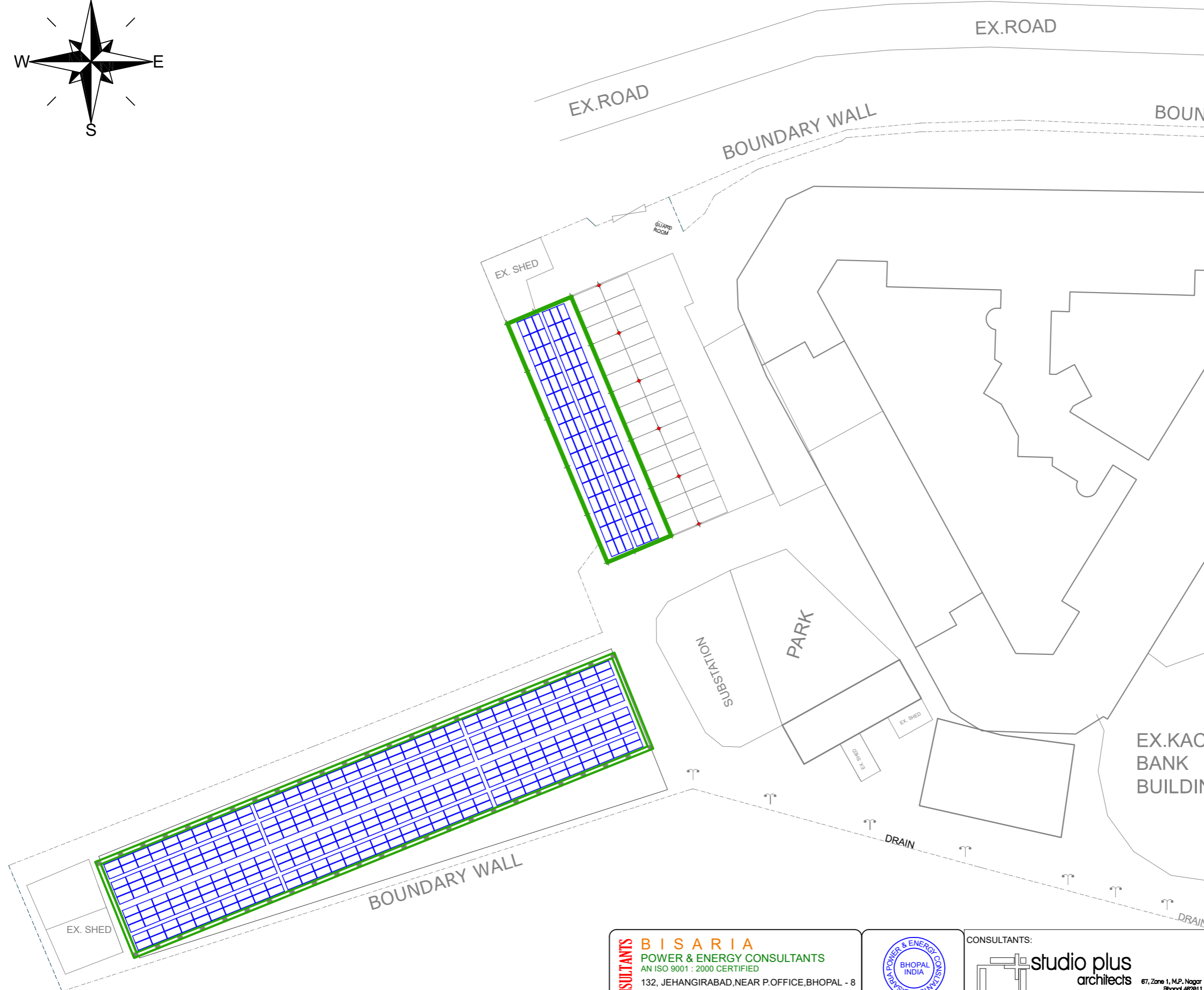
LEGENDS:

| | |
|--|-----------------------|
| | PV Module |
| | Proposed Boundry Line |

AS PER WORKING AREA
 No of Module-436
 Capacity-235 KWp
 Module Type- Mono-crystiline

| REV | DATE | DESCRIPTION | BY | CHKD. | APPRD. |
|-----|------------|---------------------|----|-------|--------|
| 00 | 26/09/2023 | PRELIMINARY DRAWING | | | |

| | | | | | |
|--------------|--|--|-------------------|-------|-----|
| PROJECT NAME | 235.00 KWp SOLAR POWER PROJECT AT SBI LHO BHOPAL | | | | |
| CLIENT | STATE BANK OF INDIA | | | | |
| EPC | | | | | |
| TITLE | SOLAR PV ROOFTOP LAYOUT | | | | |
| DESIGNED : | | | APPROVED : | | |
| DRAWN : | | | DATE : 26-09-2023 | | |
| CHECKED : | | | SCALE : NTS | SHEET | 1/1 |
| DWG. NO: | | | REV. | 00 | |

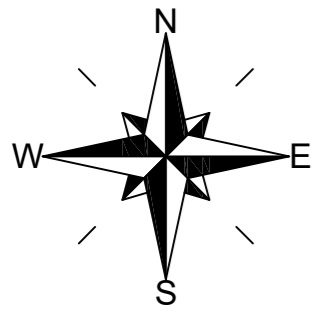


CONSULTANTS
BISARIA
 POWER & ENERGY CONSULTANTS
 AN ISO 9001 : 2000 CERTIFIED
 132, JEHANGIRABAD, NEAR P.OFFICE, BHOPAL - 8
 91-755-276 40 38 , 98260 11161
 bigbisaria@gmail.com

RAJESH BISARIA

CONSULTANTS:

studio plus
 architects
 67, Zone 1, M.P. Nagar
 Bhopal 462011
 Madhya Pradesh, India
 studioplusarchitects@yahoo.co.in, 0755-4234233, +91 9303 101 076



Site Plan

| | | |
|-------------------------------------|----------------------------|-------------|
| <input checked="" type="checkbox"/> | PRELIMINARY DRAWING | SIGN. _____ |
| <input type="checkbox"/> | DRAWING WITH REVISION | SIGN. _____ |
| <input type="checkbox"/> | DRAWING FOR SITE EXECUTION | SIGN. _____ |
| <input type="checkbox"/> | AS BUILT DRAWING | SIGN. _____ |

LEGENDS:

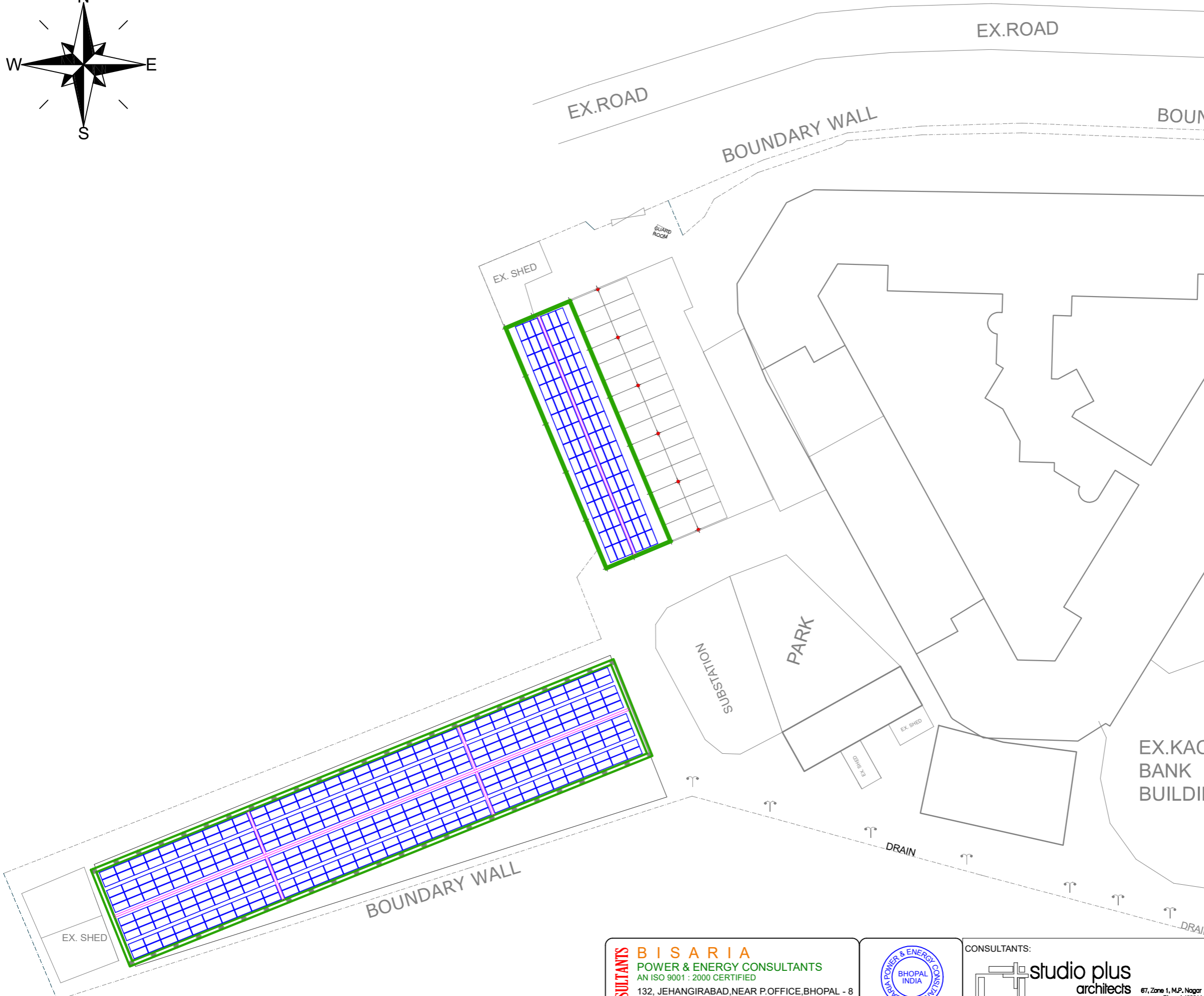
- PV Module
- Walk Way

AS PER WORKING AREA
 No of Module-436
 Capacity-235 KWp
 Module Type- Mono-crystiline

| REV | DATE | DESCRIPTION | BY | CHKD. | APPRD. |
|-----|------------|---------------------|----|-------|--------|
| 00 | 26/09/2023 | PRELIMINARY DRAWING | | | |

| | | | | | |
|--------------|---|--|--|--|--|
| PROJECT NAME | 235 KWp SOLAR POWER PROJECT AT SBI LHO BHOPAL | | | | |
| CLIENT | STATE BANK OF INDIA | | | | |
| EPC | | | | | |
| TITLE | WALK WAY LAYOUT | | | | |

| | | | | |
|------------|-------------------|-------|-----|--|
| DESIGNED : | APPROVED : | | | |
| DRAWN : | DATE : 26-09-2023 | | | |
| CHECKED : | SCALE : NTS | SHEET | 1/1 | |
| DWG. NO: | REV. | 00 | | |

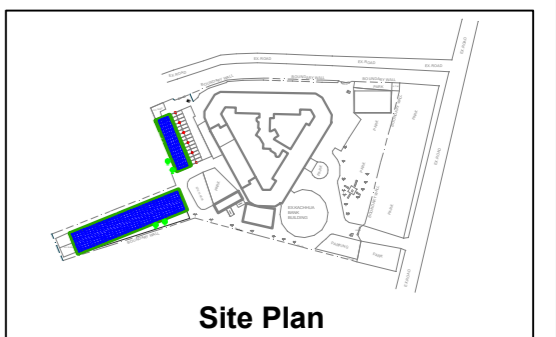
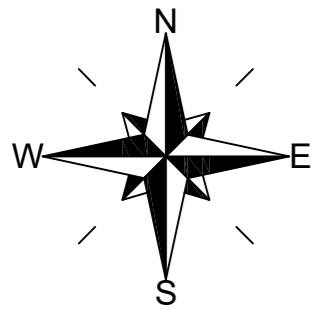


CONSULTANTS
BISARIA
 POWER & ENERGY CONSULTANTS
 AN ISO 9001 : 2000 CERTIFIED
 132, JEHANGIRABAD, NEAR P.OFFICE, BHOPAL - 8
 91-755-276 40 38 , 98260 11161
 bigbisaria@gmail.com

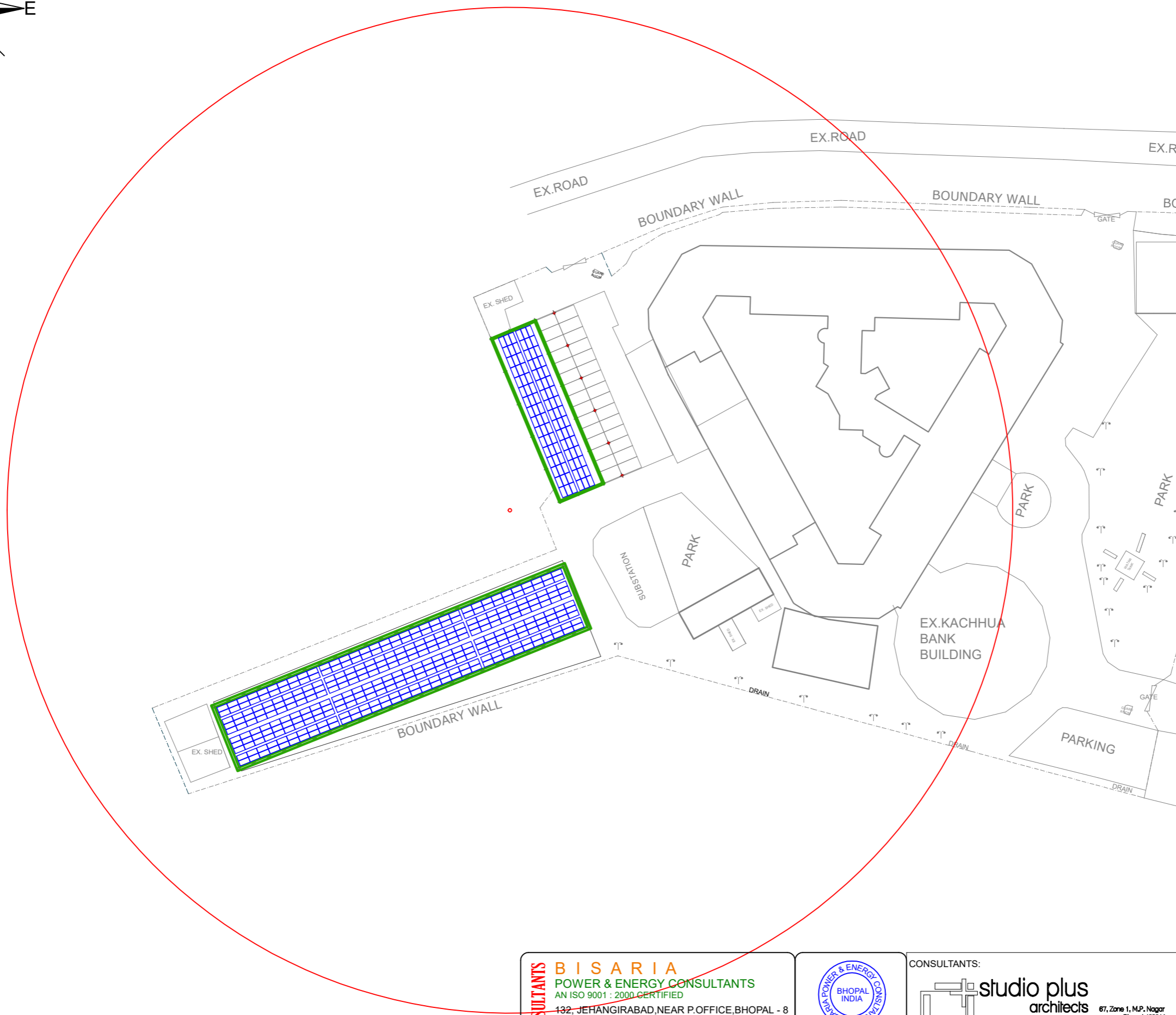
RAJESH BISARIA

CONSULTANTS:

studio plus
 architects
 67, Zone 1, M.P., Nagar
 Bhopal 462011
 Madhya Pradesh, India
 studioplusarchitects@yahoo.co.in, 0755-4234233, +91 9303 101 076



Site Plan



| | | |
|-------------------------------------|----------------------------|-------------|
| <input checked="" type="checkbox"/> | PRELIMINARY DRAWING | SIGN. _____ |
| <input type="checkbox"/> | DRAWING WITH REVISION | SIGN. _____ |
| <input type="checkbox"/> | DRAWING FOR SITE EXECUTION | SIGN. _____ |
| <input type="checkbox"/> | AS BUILT DRAWING | SIGN. _____ |

| LEGENDS: | |
|----------|--------------------|
| | PV Module |
| | Lightning Arrester |
| | |
| | |
| | |

AS PER WORKING AREA
 No of Module-436
 Capacity-235 KWp
 Module Type- Mono-crystiline

| REV | DATE | DESCRIPTION | BY | CHKD. | APPRD. |
|-----|------------|---------------------|----|-------|--------|
| 00 | 26/09/2023 | PRELIMINARY DRAWING | | | |

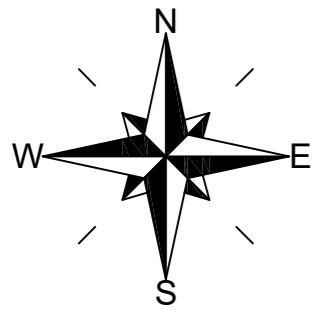
| | | | | | |
|--------------|---|-----|-------------------|-----|--|
| PROJECT NAME | 235 KWp SOLAR POWER PROJECT AT SBI LHO BHOPAL | | | | |
| CLIENT | STATE BANK OF INDIA | | | | |
| EPC | | | | | |
| TITLE | EQUIPMENT LAYOUT | | | | |
| DESIGNED : | | | APPROVED : | | |
| DRAWN : | | | DATE : 26-09-2023 | | |
| CHECKED : | SCALE : | NTS | SHEET | 1/1 | |
| DWG. NO: | | | REV. | 00 | |

CONSULTANTS
BISARIA
 POWER & ENERGY CONSULTANTS
 AN ISO 9001 : 2000 CERTIFIED
 132, JEHANGIRABAD, NEAR P.OFFICE, BHOPAL - 8
 91-755-276 40 38 , 98260 11161
 bigbisaria@gmail.com

CONSULTANTS
 POWER & ENERGY CONSULTANTS
 BHOPAL INDIA
 RAJESH BISARIA

CONSULTANTS:

studio plus
 architects
 67, Zone 1, M.P. Nagar
 Bhopal 462011
 Madhya Pradesh, India
 studioplusarchitects@yahoo.co.in, 0755-4234233, +91 9303 101 076



Site Plan

| | | |
|-------------------------------------|----------------------------|-------------|
| <input checked="" type="checkbox"/> | PRELIMINARY DRAWING | SIGN. _____ |
| <input type="checkbox"/> | DRAWING WITH REVISION | SIGN. _____ |
| <input type="checkbox"/> | DRAWING FOR SITE EXECUTION | SIGN. _____ |
| <input type="checkbox"/> | AS BUILT DRAWING | SIGN. _____ |

LEGENDS:

| | |
|--|-----------|
| | PV Module |
| | Earth Pit |
| | |
| | |
| | |

AS PER WORKING AREA
 No of Module-436
 Capacity-235 KWp
 Module Type- Mono-crystalline

| REV | DATE | DESCRIPTION | BY | CHKD. | APPRD. |
|-----|------------|---------------------|----|-------|--------|
| 00 | 26/09/2023 | PRELIMINARY DRAWING | | | |

| | | | | | |
|--------------|---|--|-------------------|-----|-----------|
| PROJECT NAME | 235 KWp SOLAR POWER PROJECT AT SBI LHO BHOPAL | | | | |
| CLIENT | STATE BANK OF INDIA | | | | |
| EPC | | | | | |
| TITLE | EARTHING LAYOUT | | | | |
| DESIGNED : | | | APPROVED : | | |
| DRAWN : | | | DATE : 26-09-2023 | | |
| CHECKED : | | | SCALE : | NTS | SHEET 1/1 |
| DWG. NO: | | | REV. | 00 | |

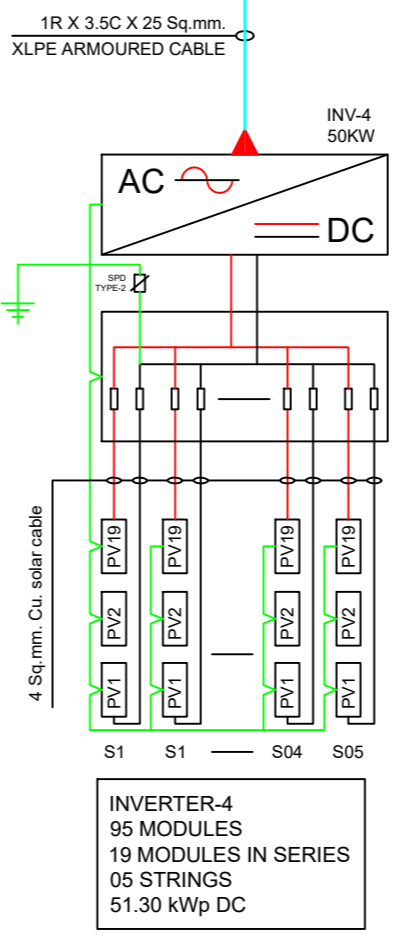
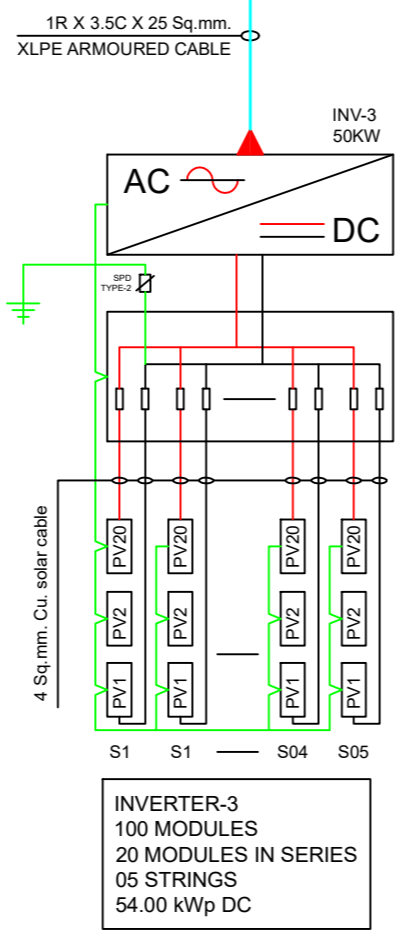
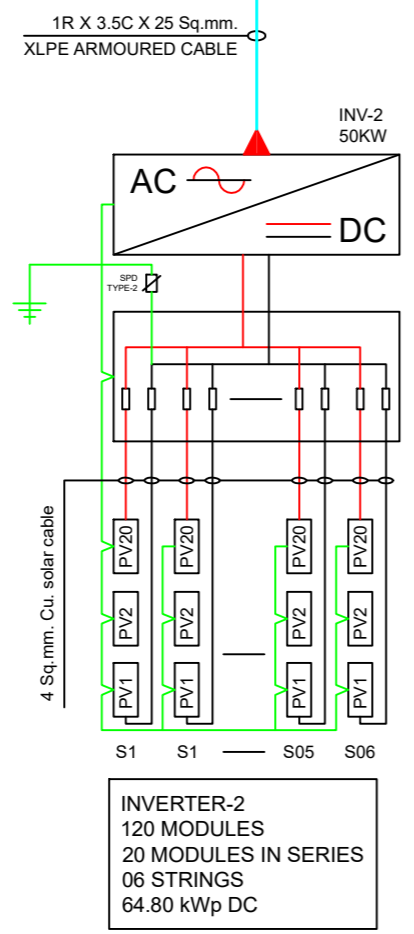
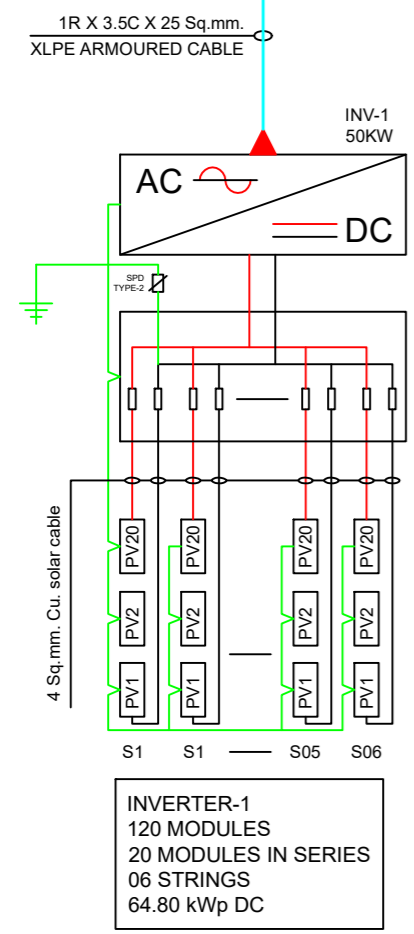
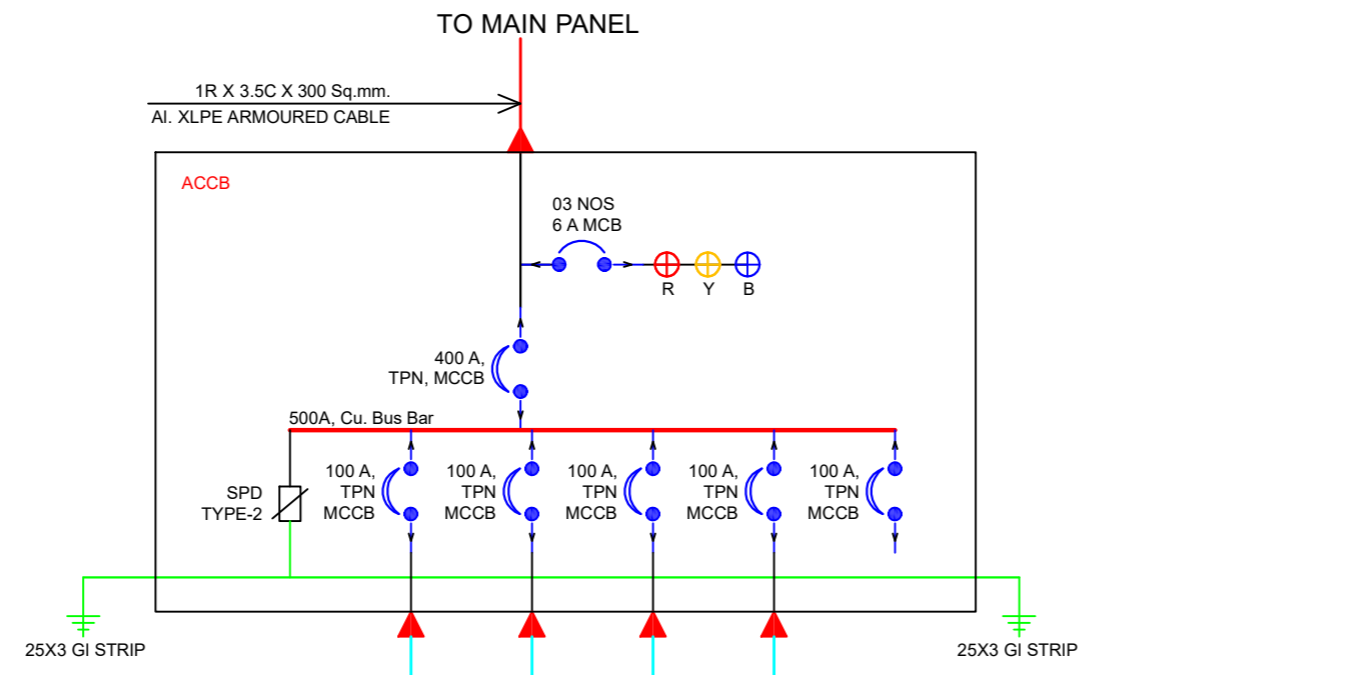
CONSULTANTS
BISARIA
 POWER & ENERGY CONSULTANTS
 AN ISO 9001 : 2000 CERTIFIED
 132, JEHANGIRABAD, NEAR P.OFFICE, BHOPAL - 8
 91-755-276 40 38 , 98260 11161
 bigbisaria@gmail.com

BHOPAL INDIA
 BISARIA POWER & ENERGY CONSULTANTS
 RAJESH BISARIA

CONSULTANTS:

studio plus
 architects
 67, Zone 1, M.P. Nagar
 Bhopal 462011
 Madhya Pradesh, India
 studioplusarchitects@yahoo.co.in, 0755-4234233, +91 9303 101 076





| | | |
|-------------------------------------|----------------------------|-------------|
| <input checked="" type="checkbox"/> | PRELIMINARY DRAWING | SIGN. _____ |
| <input type="checkbox"/> | DRAWING WITH REVISION | SIGN. _____ |
| <input type="checkbox"/> | DRAWING FOR SITE EXECUTION | SIGN. _____ |
| <input type="checkbox"/> | AS BUILT DRAWING | SIGN. _____ |

| REV | DATE | DESCRIPTION | BY | CHKD. | APPRD. |
|-----|------------|---------------------|----|-------|--------|
| 00 | 26/09/2023 | PRELIMINARY DRAWING | | | |

PROJECT NAME: 235 kWp SOLAR POWER PROJECT AT SBI LHO BHOPAL

CLIENT: STATE BANK OF INDIA

EPC:

TITLE: AC & DC SLD

DESIGNED : _____ APPROVED : _____

DRAWN : _____ DATE : 26-09-2023

CHECKED : _____ SCALE : NTS SHEET 1/1

DWG. NO: _____ REV. 00

BISARIA
POWER & ENERGY CONSULTANTS
AN ISO 9001 : 2000 CERTIFIED
132, JEHANGIRABAD, NEAR P.OFFICE, BHOPAL - 8
91-755-276 40 38, 98260 11161
bigbisaria@gmail.com



CONSULTANTS:
studio plus
architects
67, Zone 1, M.P. Nagar
Bhopal 462011
Madhya Pradesh, India
studoplusarchitects@yahoo.co.in, 0755-4234233, +91 9303 101 076